



Head office:

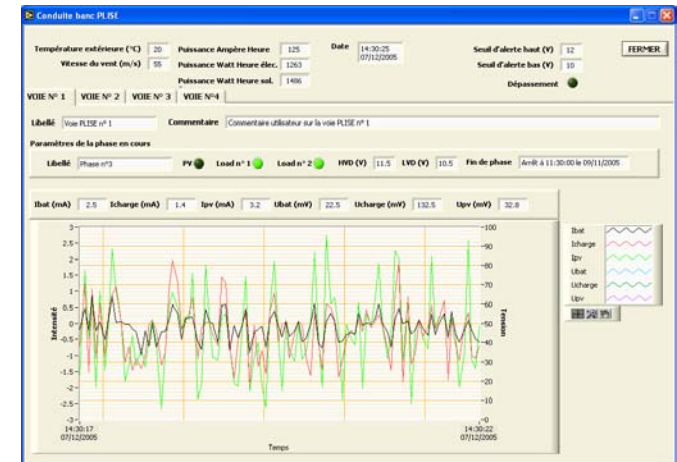
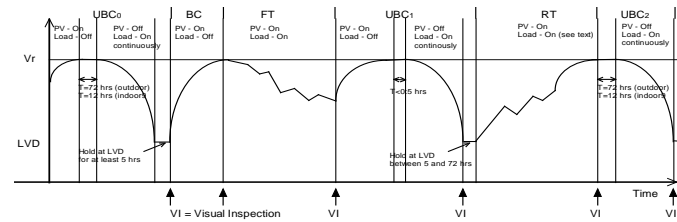
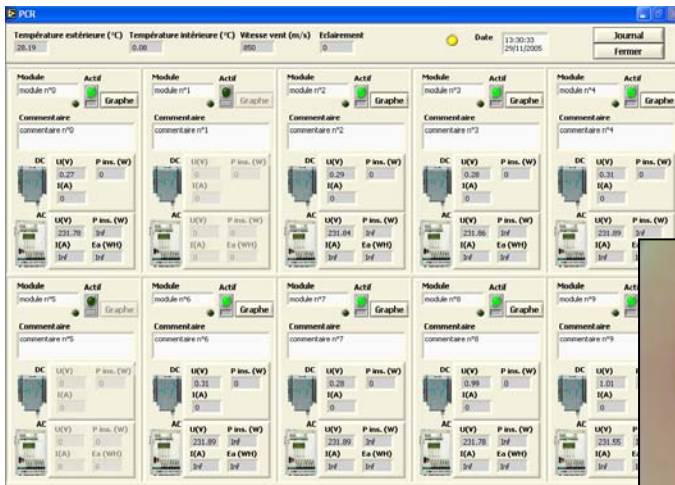
ATISys Concept ZI de TOULON EST – BP145
901 avenue Alphonse Lavallée – 83088 – TOULON CEDEX 9
www.atisys-concept.com

References in 2 activity domains

**Metrology, monitoring &
command/control**

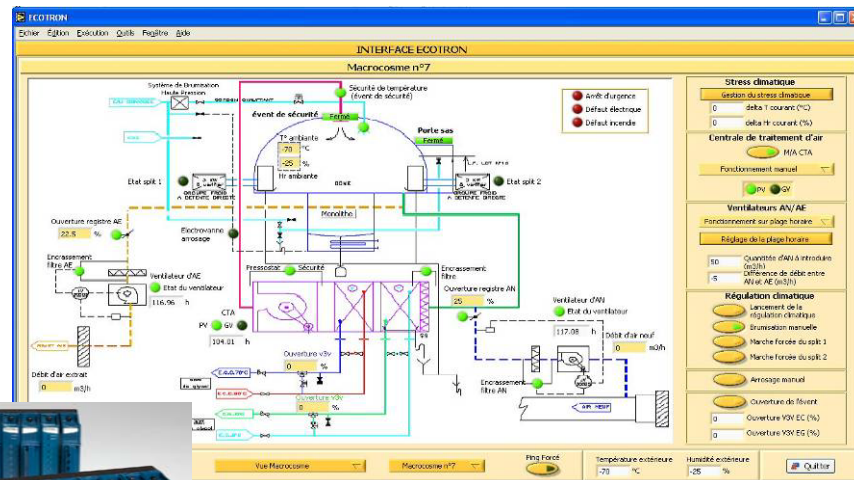
**Energy innovative system
conception and data
analysis**

Monitoring of PV test platforms



Référence: **CEA-INES**

COMMANDE/CONTRÔLE OF AN ECOLOGICAL TEST FACILITY « ECOTRON » PROJECT



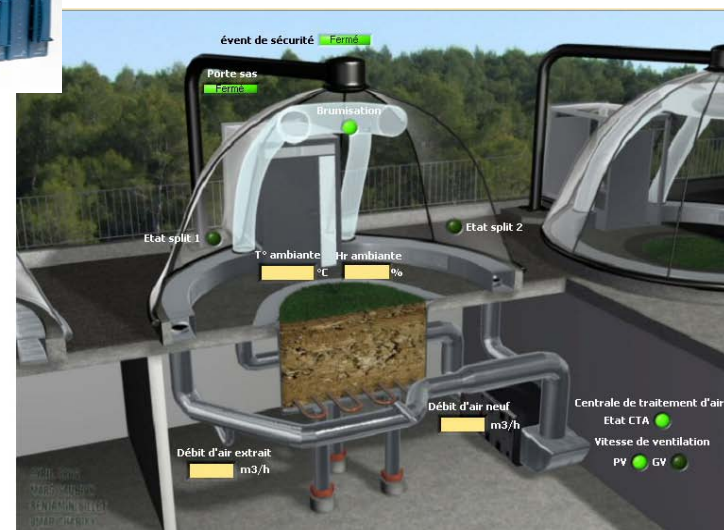
Réf. : 80-WF

CUSTOMER : *C.N.R.S. Délégation Languedoc-Roussillon*
Sub contracting of COFELY AXIMA (GDF SUEZ)

GOAL : Research European Platform for studying system ecoresponse to controlled climat changes.

RÉALISATION : A measurement network including **69 transducers channels**, **257 state channels**, **60 analog control channels** and **257 action contro channels**. System performs full data history.

LA SOLUTION : NATIONAL INSTRUMENTS Compact FieldPoint (15 units)
powered with LabVIEW/RT, 3 dedicated PC.

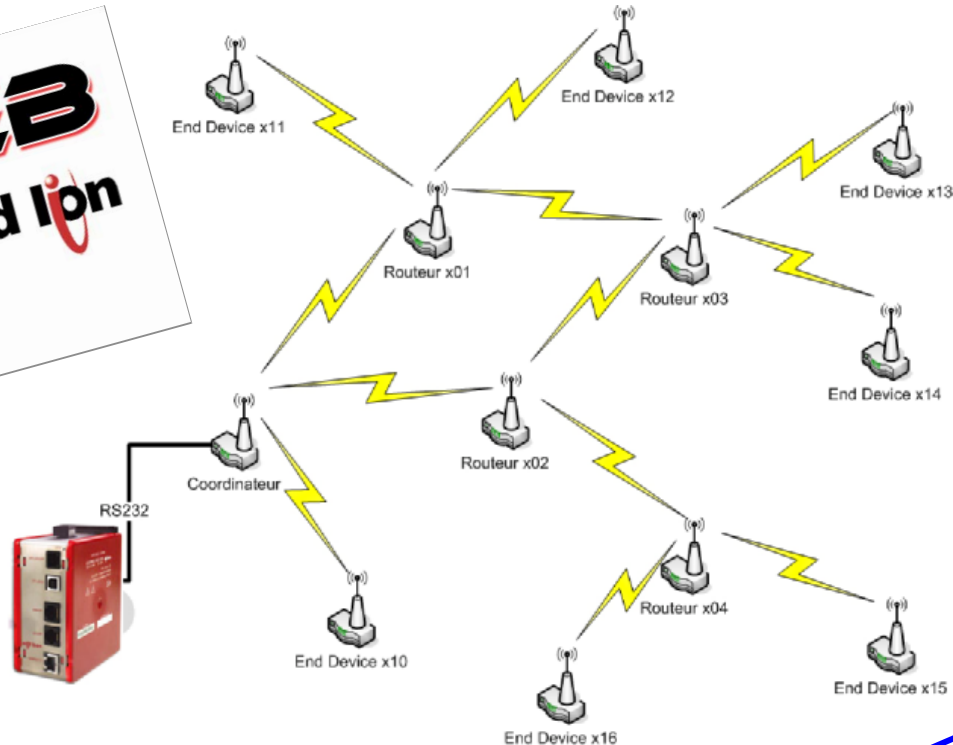


Wireless monitoring system: COBWEB

COBWEB
powered by **red ipn**
ATISYS Concept



MODULAR PROCESS CONTROLLER



COBWEB NETWORK (IEEE 802.15.4)



Concentrateur/Rouleur
COBWEB



Thermo-hygromètre
COBWEB

APPLICATIONS

- Optimization of thermal comfort and Performances monitoring
- Hygrothermal ambient monitoring (laboratories, museums, food industry, etc. ...)
- programmable alarms
- Transmission of alerts via GRPS, e-mail, etc ...

MEASURED QUANTITIES

Temperature, RH, meteorological data, CO2 concentration, energy counting, ...

Designed and produced by ATISYS
Try <http://cobweb.atisys-concept.com/accueil.htm>

On-line hygrothermal monitor of museum, archives, ...



5	MAG-S1 14,3 °C 80,8 Hr%	MAG-S2 19,2 °C 40,8 Hr%	MAG-S3 15,6 °C 55,1 Hr%		
4	MAG-41 15,8 °C 53,6 Hr%	MAG-42 18,7 °C 45,7 Hr%	MAG-43 15,2 °C 54,1 Hr%		
3	MAG-31 16,4 °C 48,7 Hr%	MAG-32 18,2 °C 46,2 Hr%	MAG-33 15,6 °C 49,5 Hr%		
2	MAG-24 18,6 °C 41,8 Hr%	MAG-21 17,9 °C 43,9 Hr%	MAG-22 18,4 °C 44,3 Hr%	MAG-23 16,9 °C 46,6 Hr%	MAG-25 16,6 °C 45,5 Hr%
1	MAG-11 18,4 °C 44,5 Hr%	MAG-12 18,6 °C 44,0 Hr%	MAG-13 17,3 °C 45,8 Hr%		
0	MAG01 18,3 °C 46,8 Hr%	MAG02 18,9 °C 45,1 Hr%	MAG03 18,7 °C 47,8 Hr%		
SS -1	MAG-SS1 18,7 °C 51,7 Hr%	MAG-SS2 18,7 °C 50,6 Hr%	MAG-SS3 17,5 °C 49,2 Hr%		

23 warehouses

7 levels

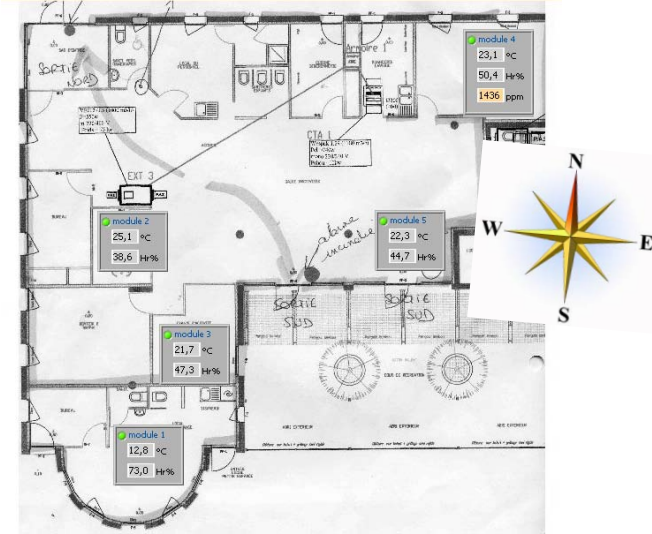


Département du Puy de Dôme

Thermal ambient monitoring and inner air quality control (nurseries, schools, ...)

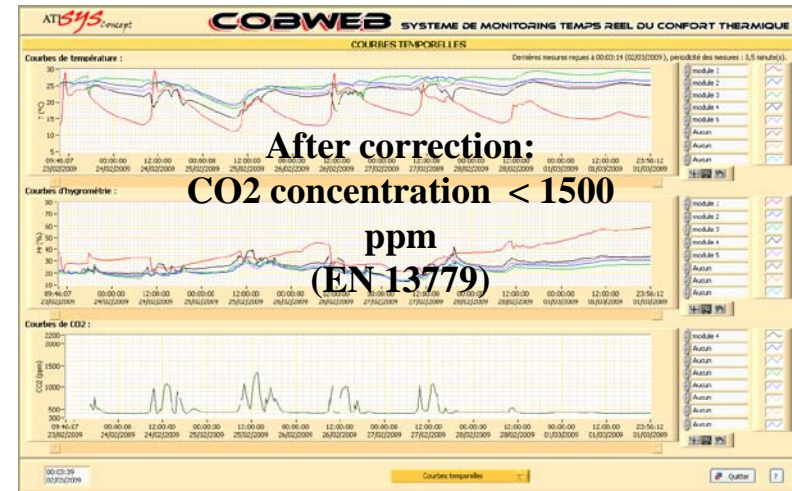
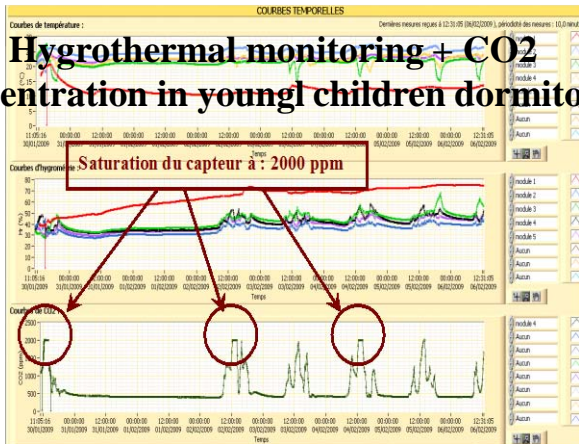


Building view



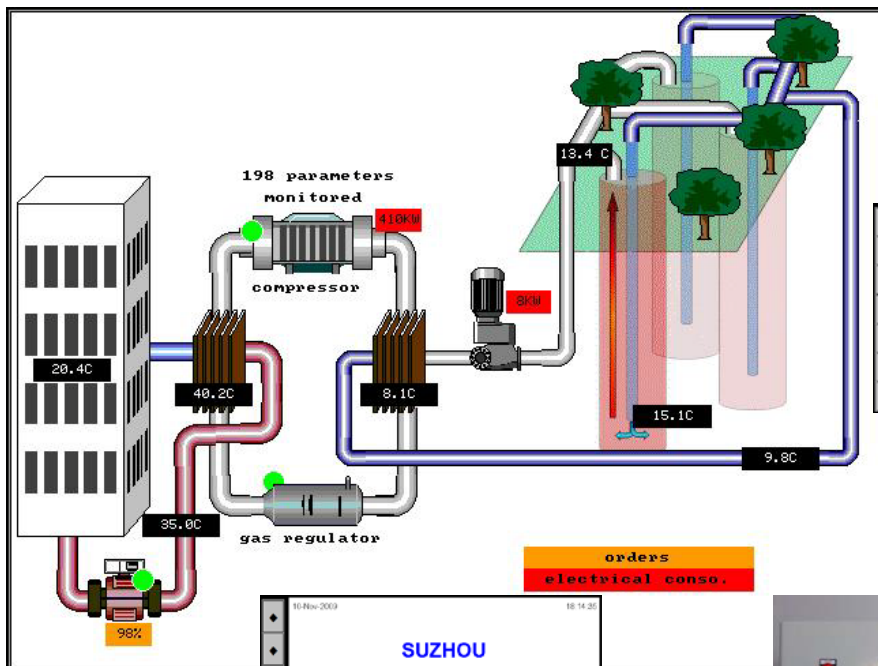
Building orientation

Hygrothermal monitoring + CO2 concentration in young children dormitory

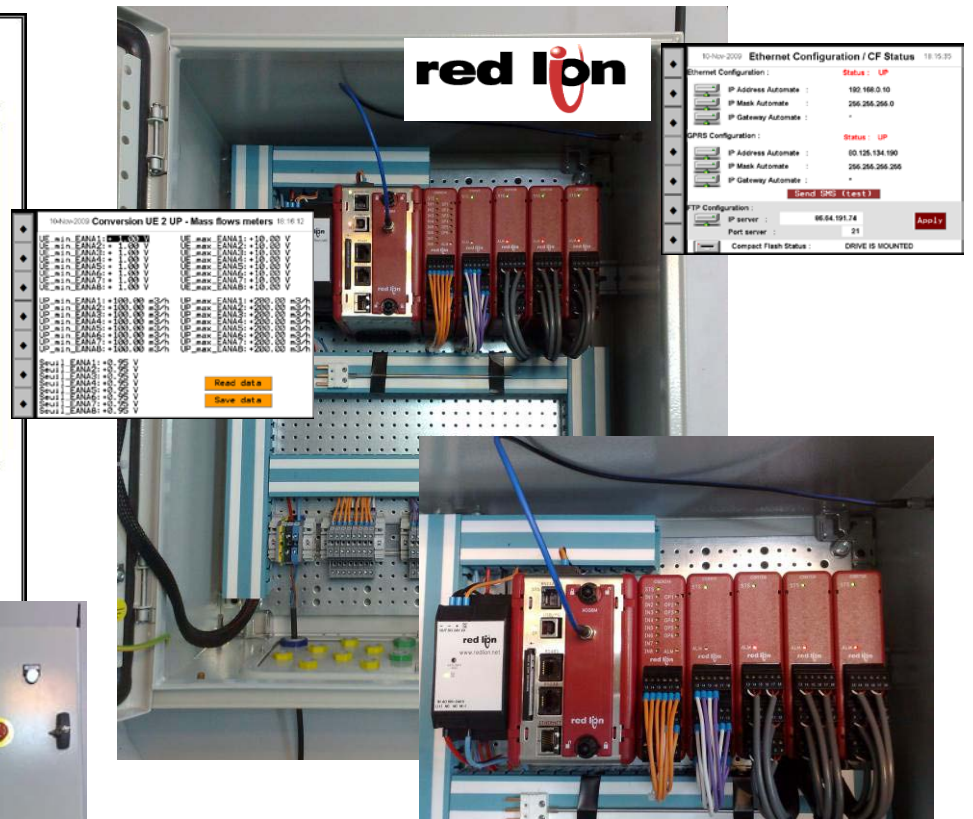


On-line performances monitoring of a high power reversible plant

CIAT (Suzhou - CHINA)



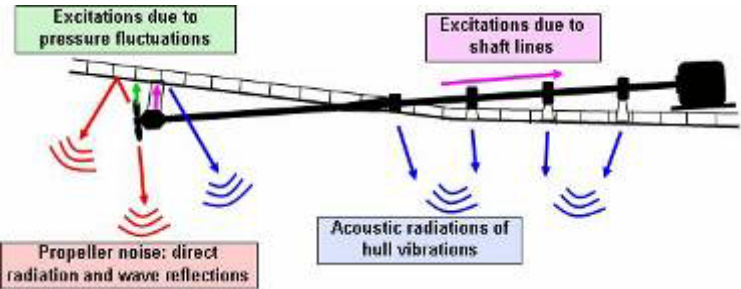
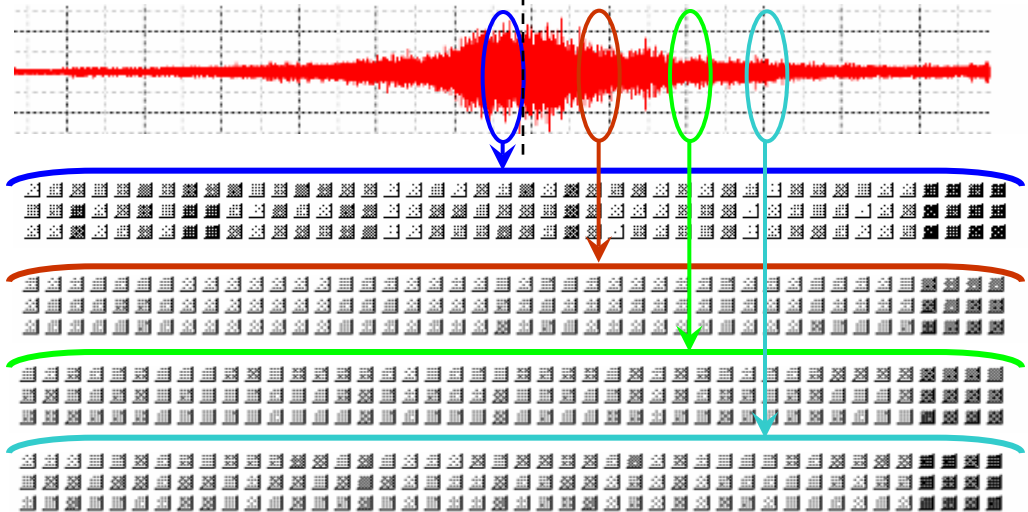
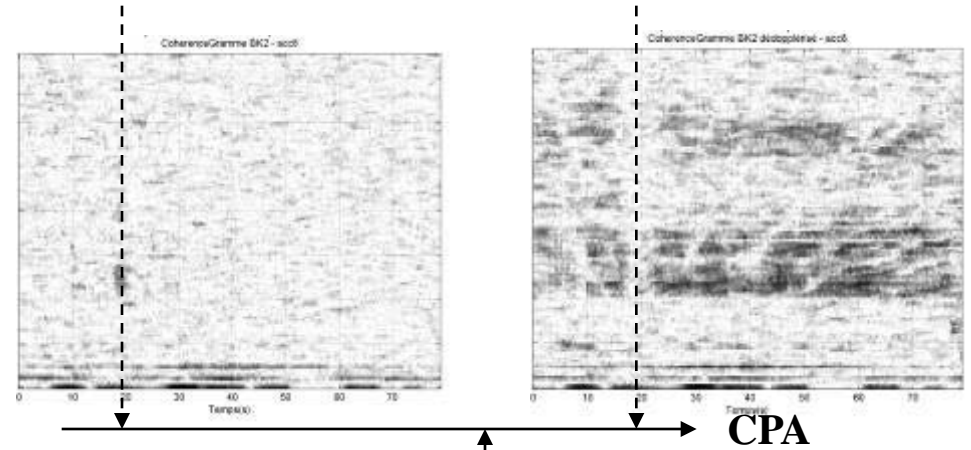
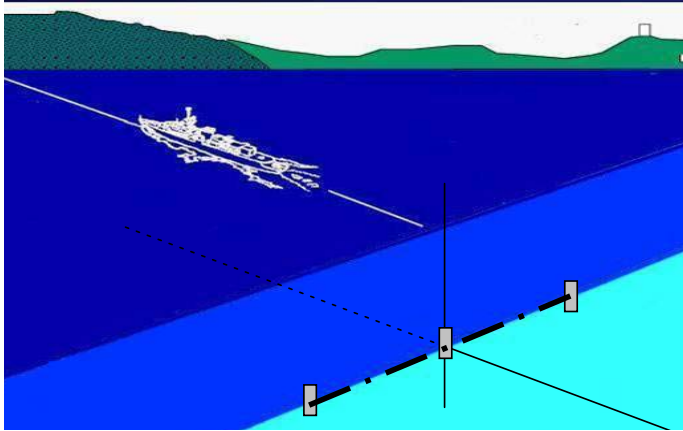
orders
electrical conso.



Client : **Groupe CIAT (Culoz)**

Réalisation : Network of 16 température transducers (PT100), 8 mass flowmeters, 8 energy counters and acquisition of 186 specific data for 2 machineries (**CIAT**) via MODBUS.
monitoring and data history sent FTP server
Remote access using GPRS connexion

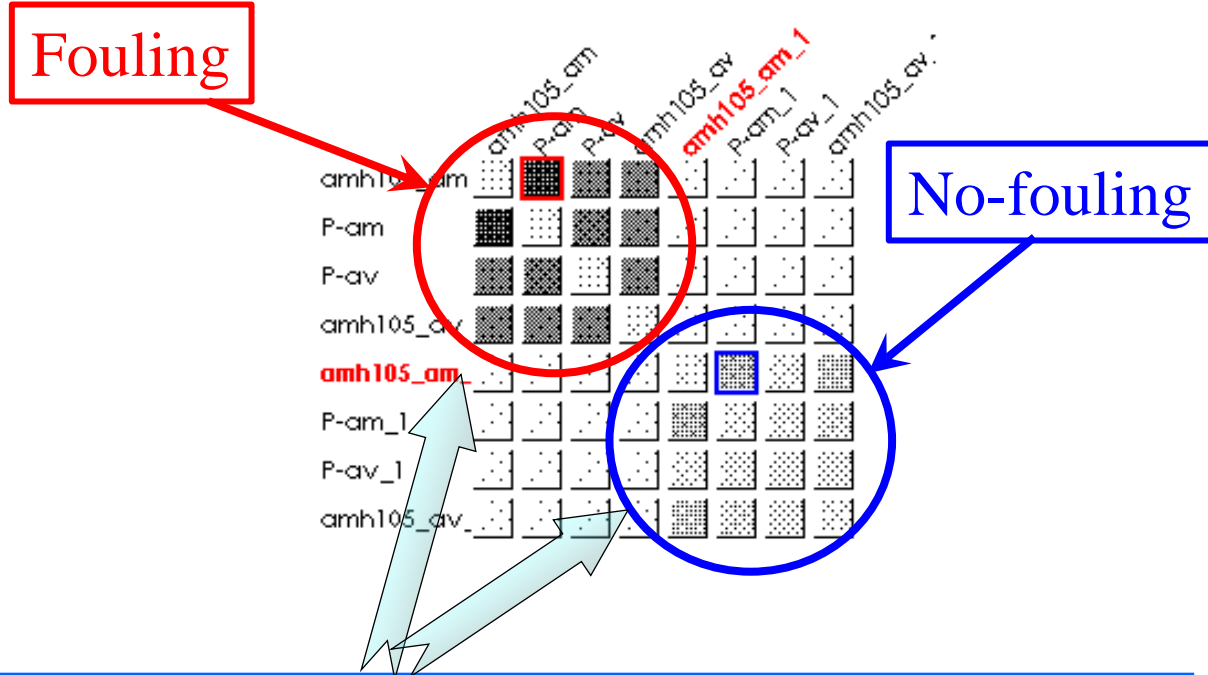
Noise source identification on a ship



Ref.: **DCN (FRANCE)**
NUR (Goa-INDIA)
NSTL (Visakkapatnam – INDIA)
MTU (Mumbai – INDIA)

Non-intrusive detection of fouling in Heat Exchangers

on-line diagnostic of fouling level using vibrational response

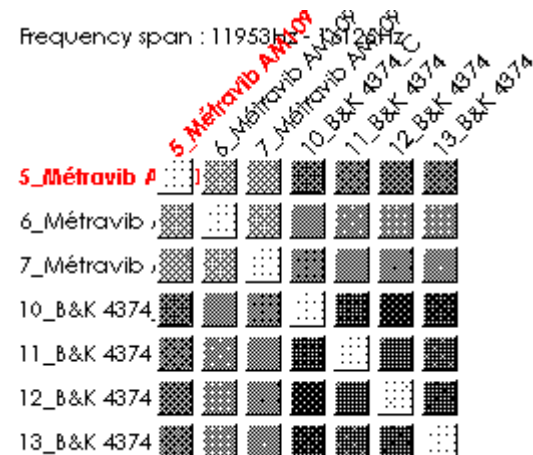
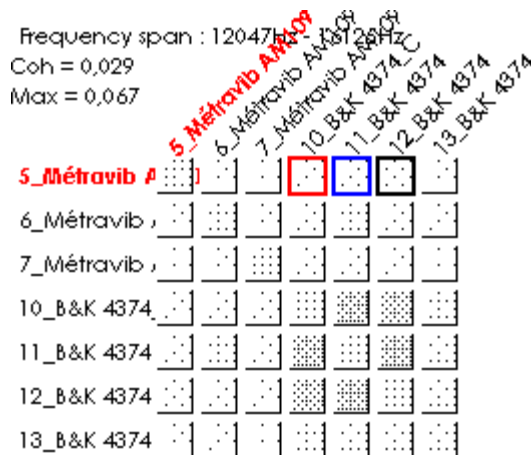


Matrix shows comparison between clean and fouling condition of broad-band dynamic behaviour, of the same heat exchanger, using the same measurement protocol.

Ref.: CEA - Commissariat à l'Energie Atomique)

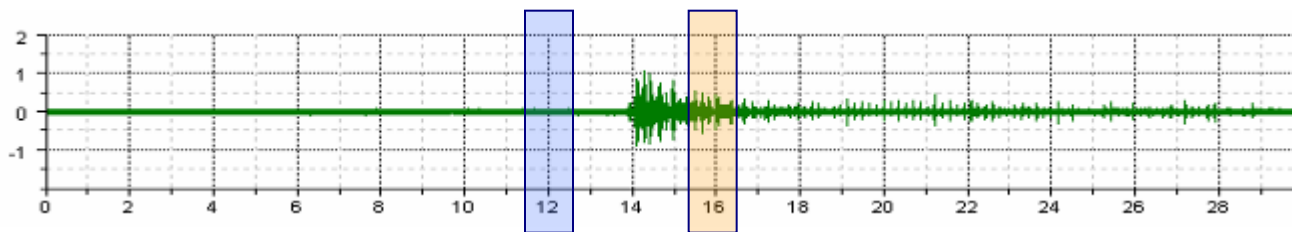
Rubbing in Gas Turbines

Define and validate method for real-time on-line diagnostic of rubbing in gas turbine



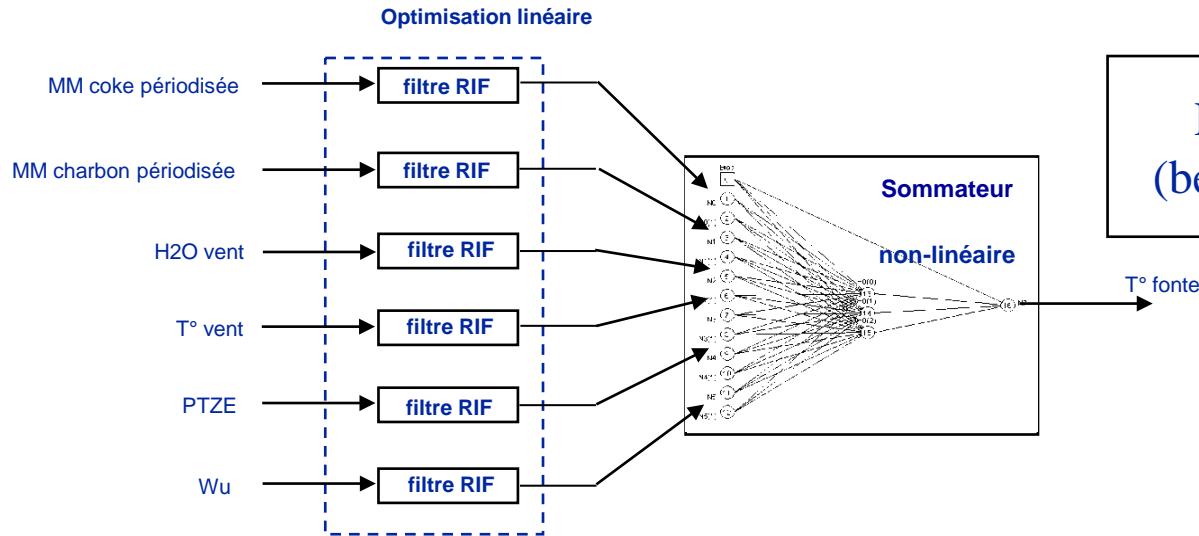
NO RUBBING

RUBBING



Ref.: EDF-DER

Neural-network cask-iron temperature prediction



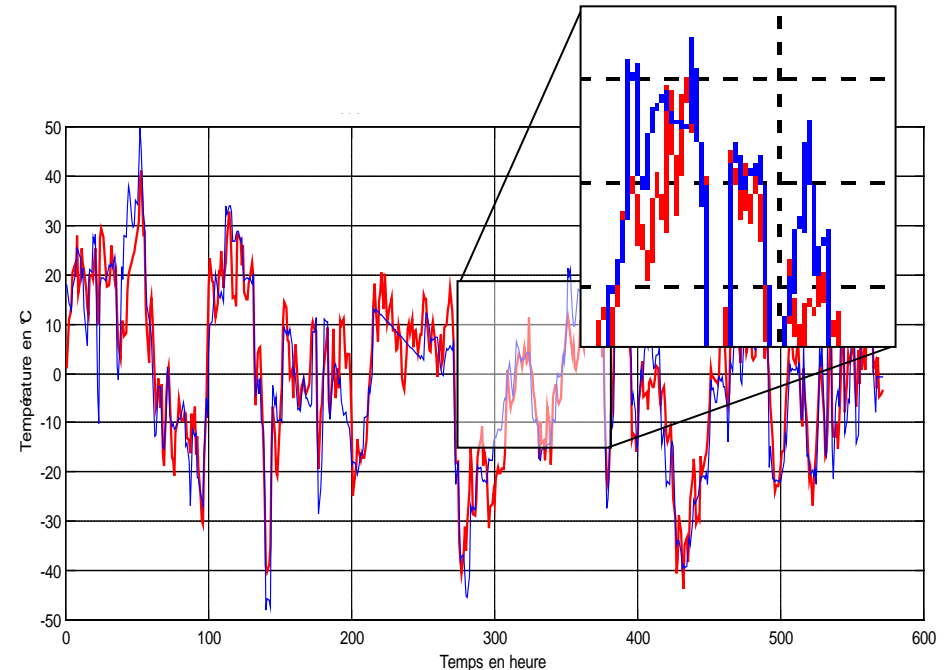
Final prediction error is 7°C
(better linear prediction is 20°C)

GOAL : 10 hours notice prediction of cast-iron temperature prior to casting flow

SOLUTION

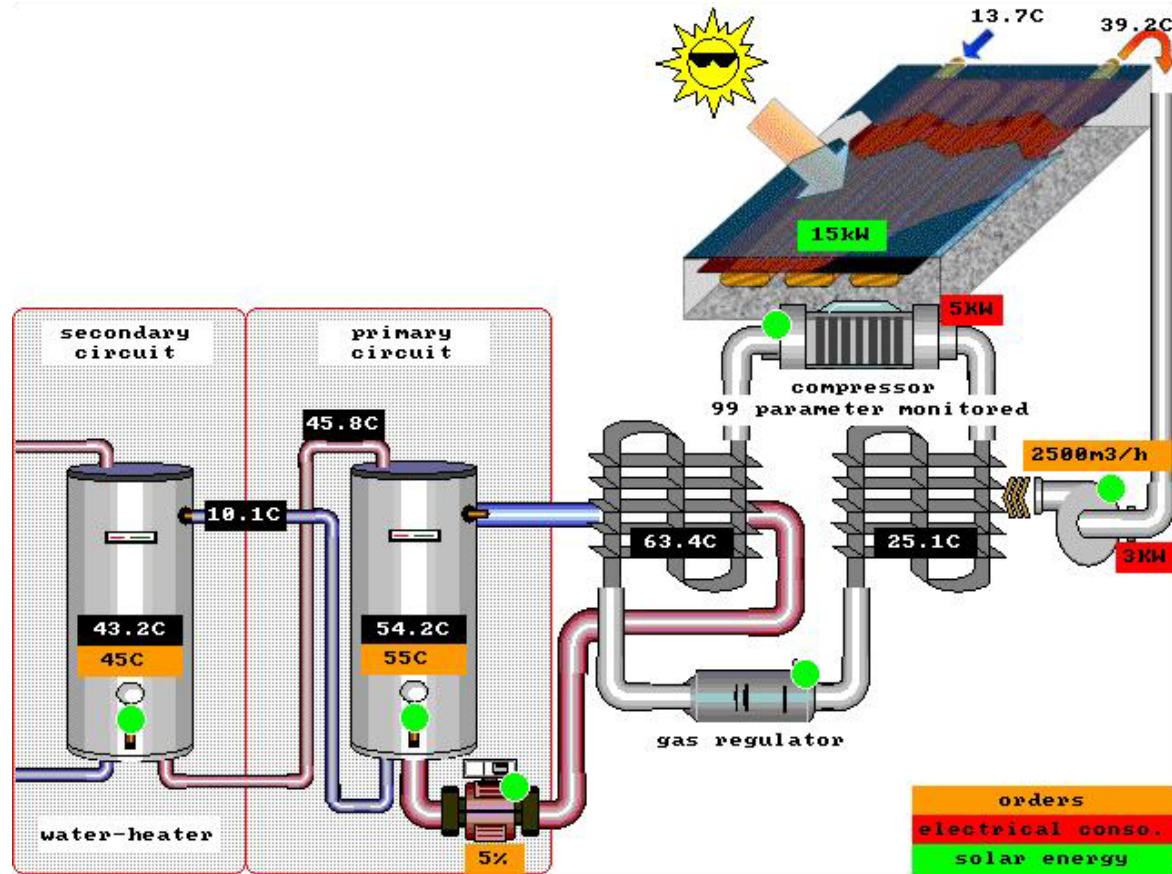
- Physical analysis and memory dimensionning
- Quadratic optimisation of MISO (multiple input, single output) system
- Quadratic optimisation of memory non-linear system (Neural Net approach)
- Combining both approach for result improvement

Client : Groupe ARCELOR MITTAL (SOLLAC)



AERAUSOL project

use of air cooling of PV panels for DHW production (*CIAT* Group)



Client : **Groupe CIAT (Culoz)**

- Network of **30** temperature transducers (PT100), **2** mass flowmeters, **8** energy counters and acquisition of **99** specific data for 2 machineries (*CIAT*) via **MODBUS**.
- **monitoring and data history sent FTP server**
- **Remote acces using GPRS connexion**

AERAUSOL project : use of air cooling of PV panels for DHW production (*CIAT* Group)



Projet AERAUSOL

PRODUCTION D'EAU CHAUDE SANITAIRE (ECS) PAR VALORISATION DE LA CHALEUR DES PANNEAUX PHOTOVOLTAÏQUES (PV)



ENSOLEILLEMENT

534 W/m²

TEMPÉRATURE AIR AMBIANT

6.3 °C

PRODUCTION ELECTRIQUE

1 155 W

TEMPÉRATURE PANNEAUX

28.3 °C

TEMPÉRATURES

EAU CHAUDE
34.8 °C

EAU FROIDE
12.7 °C

18.0 °C

5.8 °C

Valorisation possible de l'air refroidi (CLIMATISATION)

1) Aspiration d'air extérieur pour le refroidissement AERAUQUE des panneaux photovoltaïques

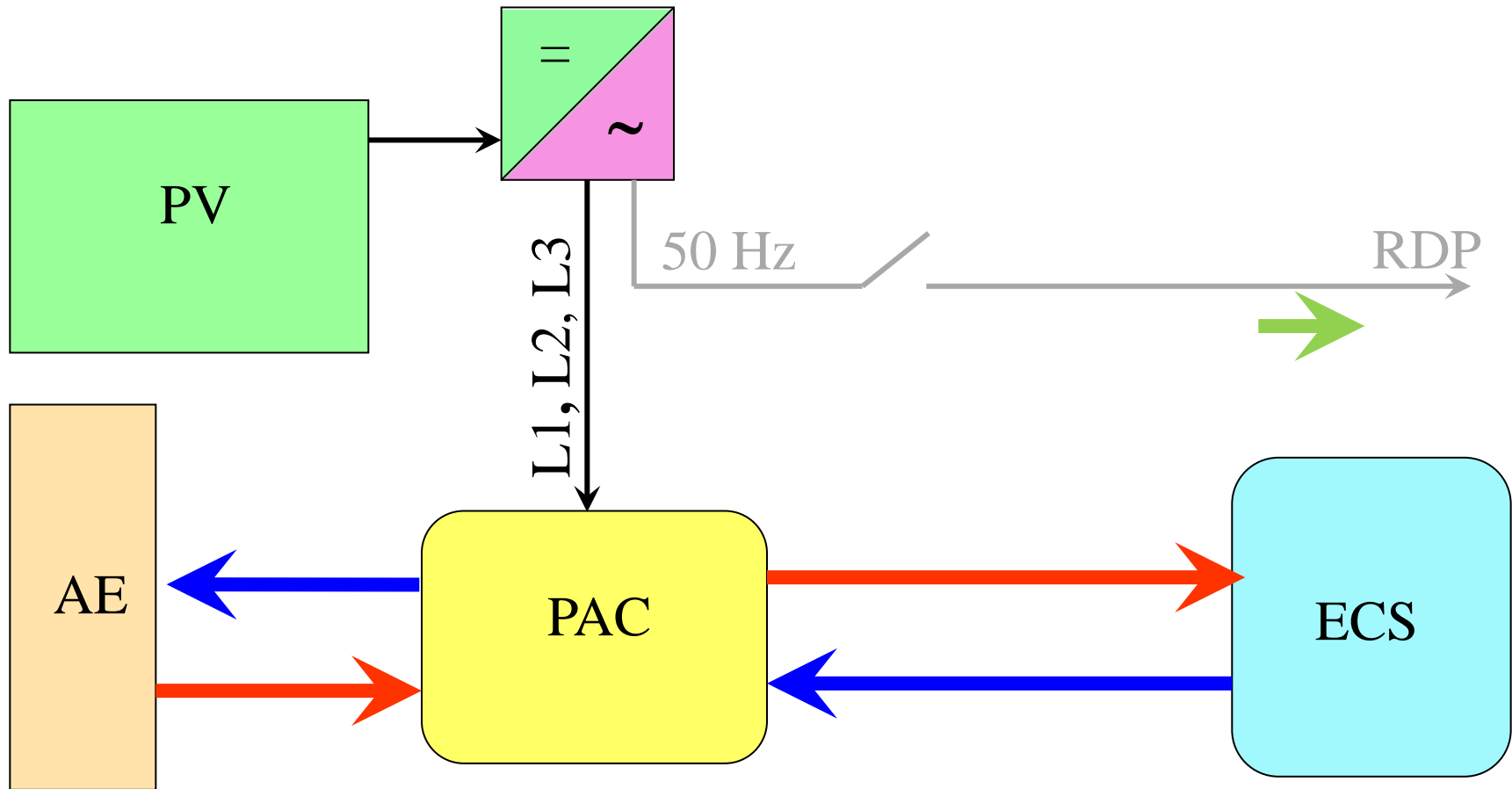
2) Transfert de chaleur entre l'air et les panneaux PV:
- la température de l'air augmente;
- la température des panneaux baisse;
- le rendement des panneaux PV est amélioré

3) L'air rechauffé est ensuite dirigé dans une pompe à chaleur pour produire de l'eau chaude sanitaire (préchauffage à 53°C)

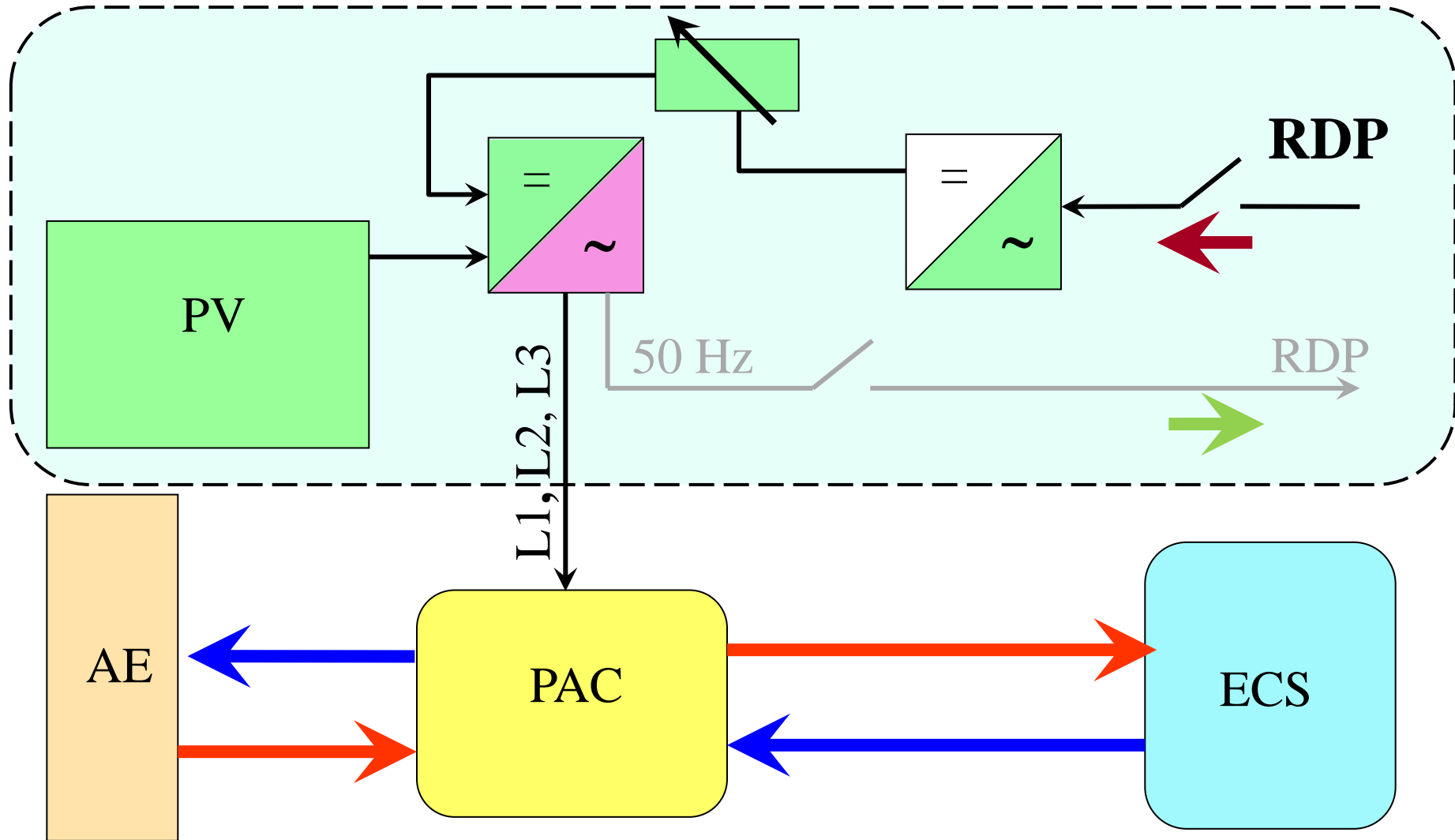


Coupling PV with heat-pump compressor

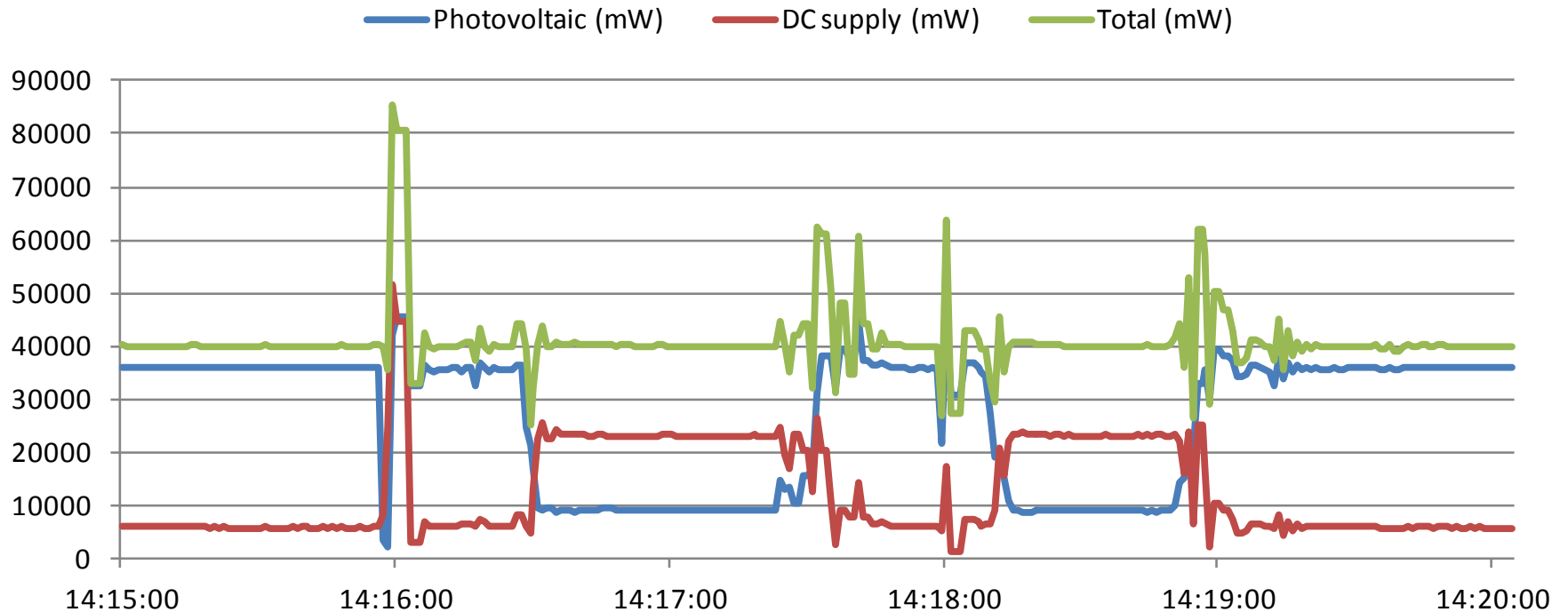
What about a passing cloud on PV field ?



Adaptive DC complementary supply with PV power



Adaptive DC complementary supply with PV power



Interest in IEA task

- Driving HP compressor with PV energy
- Adaptive HP compressor control with PV ressource

References

In FRANCE :

ARCELOR/SOLLAC, AREVA, CEA (Cadarache, Grenoble, LITEN/GRETh), CIAT, CNRS Languedoc-Roussillon, COFELY AXIMA, Conseil Général du VAR, Archives Départementales du Puy-de-Dôme, DGA, DCNS DASSAULT AVIATION, EDF (DER, DTG), HELION, INES, IRSN, PSA, RENAULT, THALES SAFARE, TECHNICATOME, VALEO ...

Export :

QINETIQ (UK) , University of CRANFIELD (UK), Johannes Gutenberg Universität - MAINZ (Allemagne), Naval Underwater Range-GOA (Inde), Naval Scientific Technology Laboratory – NSTL (Inde), Machinery Technological Units-MTU (Inde)

Thank you for attention ...